

ZDFS Type Auto Discharger



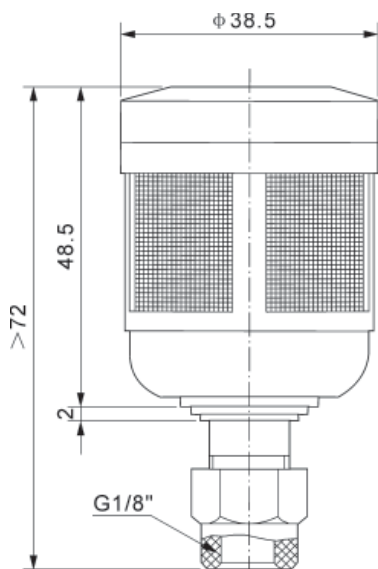
Range of application

This product is installed at the bottom of water cups of auto drainers, air filters and air filter regulators. It can automatically discharge the condensed water gathered in the water cup.

Features

Auto drain
Air shutoff drain
Manual drain

Dimensions



Technical requirements

Fluid: Compressed air
Ambient and fluid temperature : 5~60°C
Operating pressure : 0.15~1.00MPa

Attention

When using, the drainer should be installed vertically and the drain port should face down.

Dimension of connecting part of water cup

